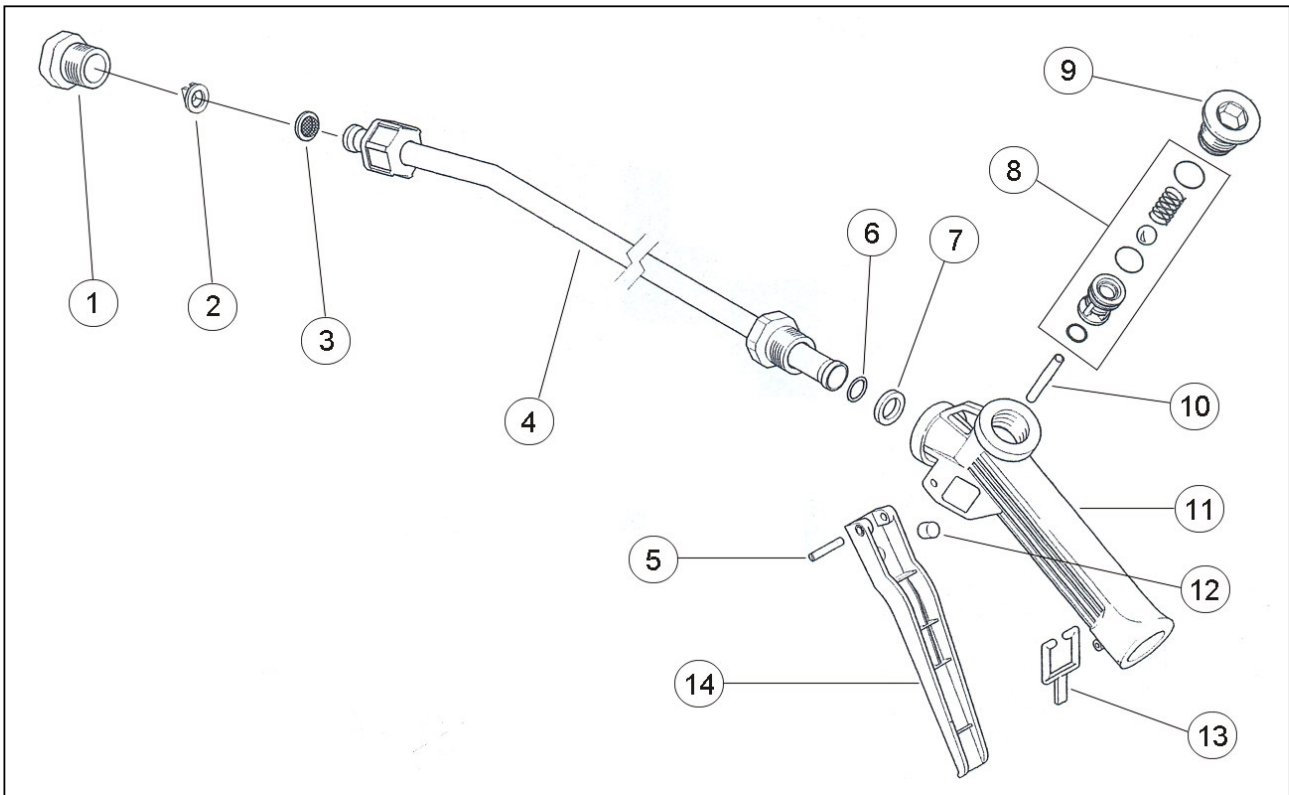




Lancia mod. PA - PVC

Cod. LCP/50
Cod. LMP/75
Cod. LMP/90
Cod. LLP/120

Cod. LMV/75
Cod. LLV/120



pos.	codice - code	descrizione	description
1	ZZ/17	Portaugello	Retainer for nozzle
2	ZZ/01AR	Ugello in plastica 80° arancione	80° spray nozzle orange
2	ZZ/01VE	Ugello in plastica 80° verde	80° spray nozzle green
2	ZZ/01GI	Ugello in plastica 80° giallo	80° spray nozzle yellow
2	ZZ/01BL	Ugello in plastica 80° blu	80° spray nozzle blue
2	ZZ/01RO	Ugello in plastica 80° rosso	80° spray nozzle red
2	ZZ/01MA	Ugello in plastica 80° marrone	80° spray nozzle brown
2	ZZ/01GR	Ugello in plastica 80° grigio	80° spray nozzle gray
2	ZZ/01BI	Ugello in plastica 80° bianco	80° spray nozzle white
2	ZZ/01AZ	Ugello in plastica 80° azzurro	80° spray nozzle light-blue
2	ZZ/01OT	Ugello in ottone 80°	80° spray nozzle - in brass
2	ZZ/12	Ugello schiuma media in ottone	Medium foam nozzle - in brass
2	ZZ/13	Ugello schiuma densa in ottone	Thick foam nozzle - in brass
2	ZZX/01	Ugello in ottone 80° in inox	80° spray nozzle - in inox
2	ZZX/12	Ugello schiuma media in inox	Medium foam nozzle - in inox
2	ZZX/13	Ugello schiuma densa in inox	Thick foam nozzle - in inox
3	ZZ/20	Filtro inox	Inox filter
4	ZZ/25	Tubo lancia inox con raccordi L=300	Inox lance with joint L=300
4	ZZ/26	Tubo lancia inox con raccordi L=600	Inox lance with joint L=600
4	ZZ/27	Tubo lancia inox con raccordi L=750	Inox lance with joint L=750
4	ZZ/28	Tubo lancia inox con raccordi L=900	Inox lance with joint L=900
4	ZZ/29	Tubo lancia PVC con raccordi L=750	PVC lance with joint L=750
4	ZZ/30	Tubo lancia PVC con raccordi L=1200	PVC lance with joint L=1200
5	ZZ/31	Spina	Spine
6	ZZ/32	O-ring	O-ring
7	ZZ/33	Rondella in plastica	Plstic washer
8	ZZ/14	Kit di tenuta	Kit of hold
9	ZZ/34	Tappo pistola	Cup's gun
10	ZZ/35	Perno inox	Inox hinge
11	ZZ/36	Corpo pistola	Body gun
12	ZZ/37	Perno	Hinge
13	ZZ/38	Fermo leva	Hang up for lever
14	ZZ/39	Leva	Lever